

**TIMKEN****The Timken Company**

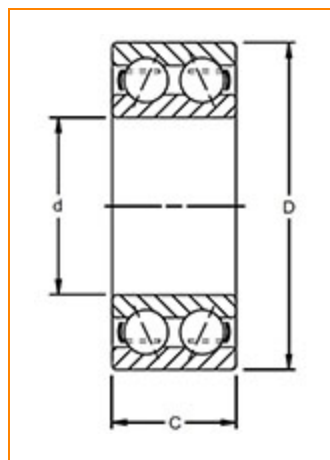
4500 Mt Pleasant St. NW

N. Canton, OH 44720

Phone: (234) 262-3000

E-Mail: [CustomerCAD@timken.com](mailto:CustomerCAD@timken.com) • Web site: [www.timken.com](http://www.timken.com)

Part Number 3203 ATN1/ZZ, Timken® Double Row Angular Contact Ball Bearings (3200, 3300)



[Dimensions](#) | [Specifications](#) | [Basic Load Ratings](#) | [Abutment and Fillet Dimensions](#)

## Dimensions

d - Bore	17.00 mm 0.6693 in
D - Outer Diameter	40.00 mm 1.5748 in
C - Ring Width	17.5 mm 0.6890 in
Contact Angle	30 °

## Specifications

Features	Shields
Ball Type	STEEL



Cage Type	Molded
Cage Material	Nylon
Bearing Weight	0.1 Kg 0.214 lb
Design Units	METRIC

### Basic Load Ratings

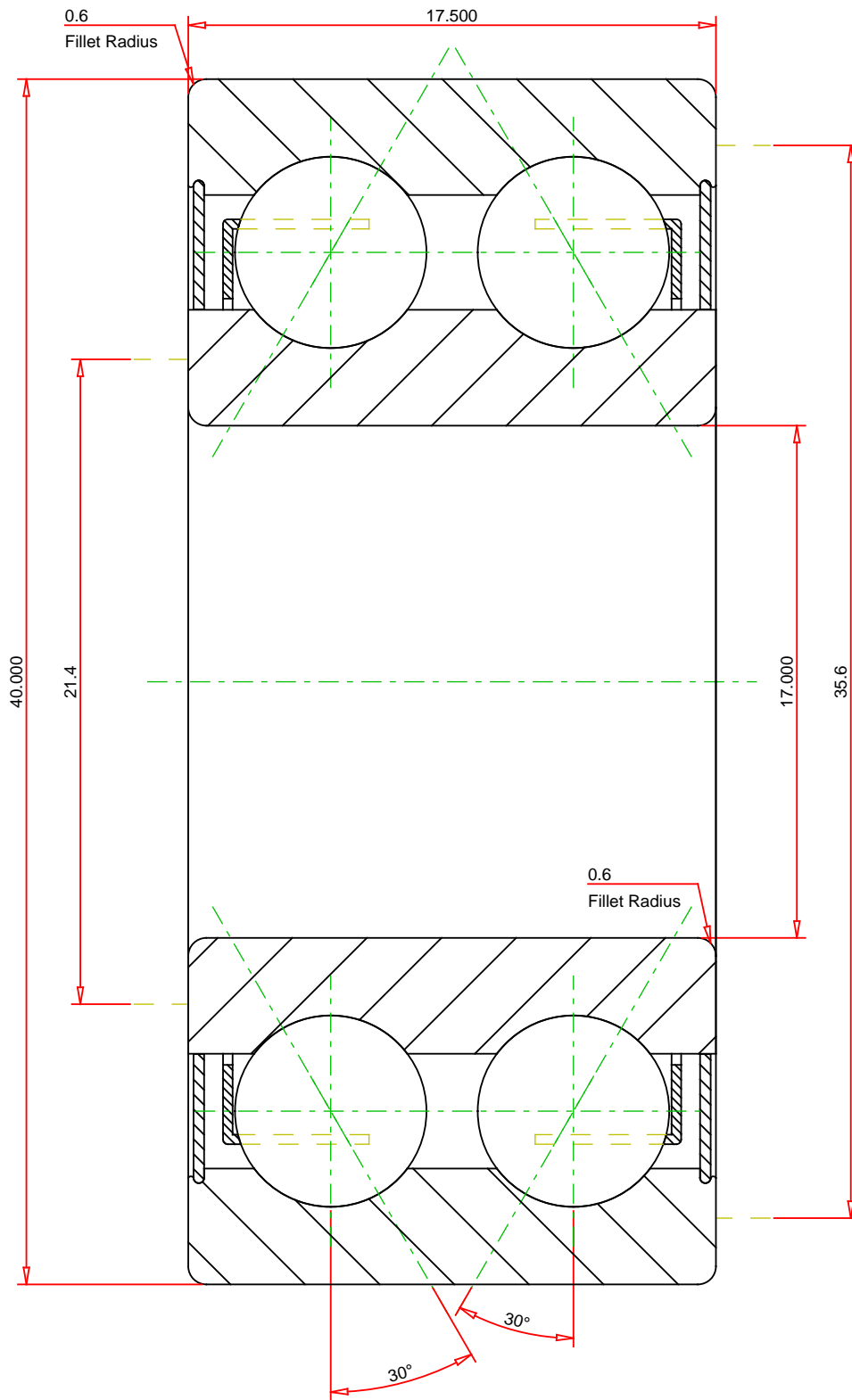
C0 - Static Radial Rating	8410 N 1890 lbf
C1 ISO - Dynamic Radial Rating	12750 N 2866 lbf

### Abutment and Fillet Dimensions

R - Inner Ring "To Clear" Radius <sup>1</sup>	0.60 mm 0.024 in
r - Outer Ring "To Clear" Radius <sup>2</sup>	0.60 mm 0.024 in
da - Inner Ring Backing Diameter	21.4 mm 0.843 in
Da - Outer Ring Backing Diameter	35.6 mm 1.402 in

<sup>1</sup> Maximum housing fillet radius that bearing corners will clear.

<sup>2</sup> Maximum shaft fillet radius that bearing corners will clear.



**METRIC UNITS**

Number of Balls Per Row 8  
 Bearing Weight 0.100 kg

**TIMKEN**®

**3203 ATN1/ZZ**  
 Timken® Double Row Angular Contact Ball Bearings  
 (3200, 3300)

**THE TIMKEN COMPANY**  
 NORTH CANTON, OHIO USA

Dynamic Load Rating 12750 N  
 Static Load Rating 8410 N

Every reasonable effort has been made to ensure the accuracy of the information contained in this writing, but no liability is accepted for errors, omissions or for any other reason.

**FOR DISCUSSION ONLY**